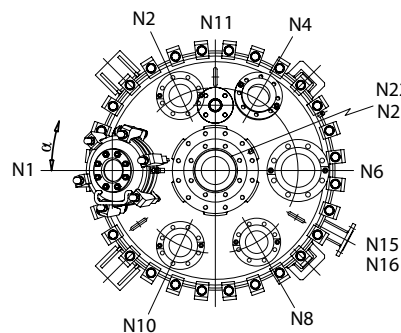
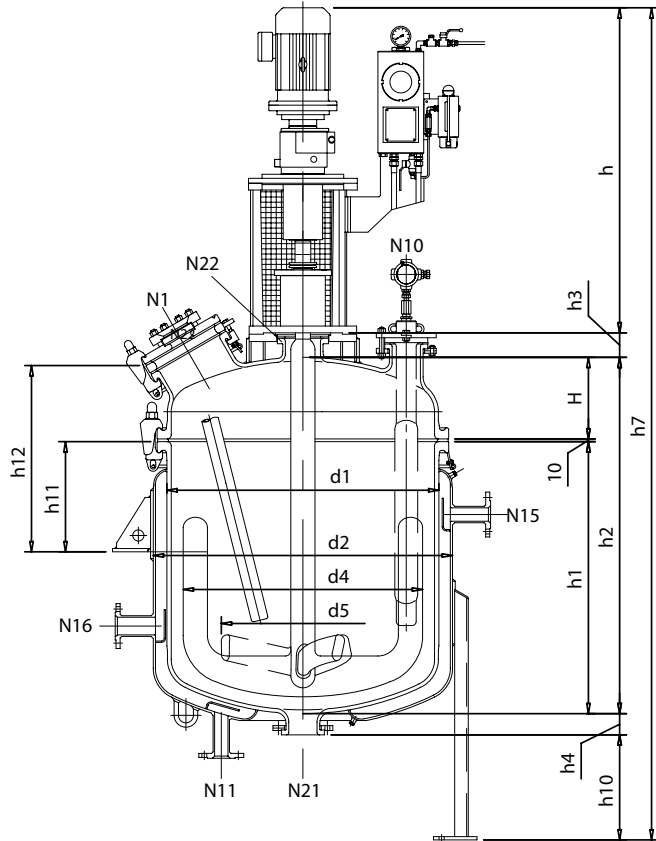
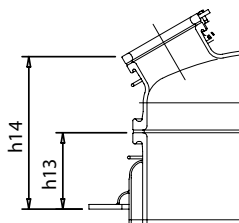
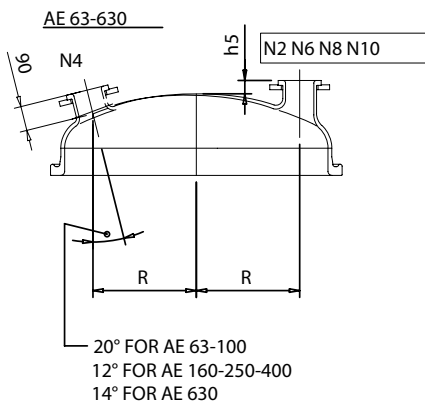
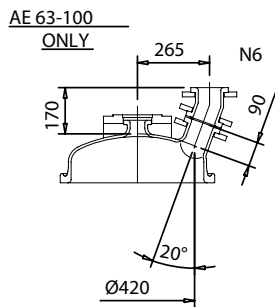


Glass lined reactor - AE



Capacity from 63 to 630 l

- Glass lined reactors type AE to DIN 28136.
- Two pieces execution with clamped top cover with heating jacket.
- Dimensions to DIN 28136.
- Design pressure: - 1 bar to + 6 bar for vessel and jacket.
- Design temperature: - 25°C to + 200°C.
- Construction according to PED Directive 97/23/CE.
- Construction tolerances to DIN 28006 T2.
- Glass lined nozzles with split loose flanges.
- Flanges PN 10 to EN 1092-1.
- PTFE envelope gasket on all assembled joints.
- Blu glass without plugs, tested to DIN 28063.
- Support by legs or ring to DIN 28145, or lugs as required by customer.



	Type	AE	63	100	160	250	400	630
	Vessel capacity	L	97	135	215	335	545	865
	Jacket capacity	L	30	44	67	84	119	153
	Jacketed area	m ²	0,61	0,93	1,29	1,74	2,5	3,17
	Weight	kg	510	550	650	970	1.150	1.510
Dimensions	d1	mm	508	508	600	700	800	1.000
	d2	mm	600	600	700	800	900	1.100
	H	mm	180	180	200	220	250	300
	h1	mm	400	600	700	800	1.000	1.000
	h2	mm	590	790	910	1.030	1.260	1.310
	h3	mm	70	70	70	80	80	90
	h4	mm	70	70	70	70	80	78
	h7	mm	2.341	2.541	2.661	2.872	3.212	3.373
	h10 min.	mm	600	600	600	600	700	700
	h11 min.	mm	370	370	370	380	380	405
	h12 min.	mm	590	590	610	620	635	685
	h13 min.	mm	-	-	-	290	290	320
	h14 min.	mm	-	-	-	530	540	600
	Nozzles	N1	DN	100	100	100	150	200
N2		DN - h5	40 - 50	40 - 50	50 - 50	50 - 50	80 - 50	100 - 50
		R -	210 - 65°	210 - 65°	240 - 65°	280 - 65°	310 - 65°	380 - 65°
N4		DN - h5	80 - 0	80 - 0	80 - 0	80 - 0	80 - 0	100 - 0
		R -	210 - 120°	280 - 120°	240 - 120°	280 - 120°	310 - 120°	380 - 120°
N6		DN - h5	80 - 0	80 - 0	80 - 50	80 - 50	100 - 50	150 - 50
		R -	210 - 180°	210 - 180°	240 - 180°	280 - 180°	310 - 180°	380 - 180°
N8		DN - h5	50 - 50	50 - 50	80 - 50	80 - 50	80 - 50	100 - 50
		R -	210 - 240°	210 - 240°	240 - 240°	280 - 240°	310 - 240°	380 - 240°
N10		DN - h5	40 - 50	40 - 50	50 - 50	50 - 50	80 - 50	100 - 50
		R -	210 - 295°	210 - 295°	240 - 295°	280 - 295°	310 - 295°	380 - 295°
N21		DN	80	80	80	80	100	100
N22		DN	50	50	50	80	80	125
N23		DN	50	50	50	50	50	100
Jacket nozzles	N11	DN	40	40	40	40	40	50
			90°	90°	90°	90°	90°	90°
	N15	DN	40	40	40	40	40	50
			208°	208°	208°	208°	208°	208°
N16	DN	-	-	-	40	40	50	
		-	-	-	208°	208°	208°	
Drive	Drive type	-	GNA - 40	GNA - 40	GNA - 40	GNA - 50	GNA - 50	GNA - 60
	Max torque	Nm	100	100	100	250	250	500
	h	mm	1.011	1.011	1.011	1.092	1.092	1.195
Anchor	d4	mm	420	420	500	600	700	880
	na	Rpm	108	108	108	90	90	74
	Pa	kW	0,75	0,75	0,75	1,5	1,5	2,2
Impeller	d5	mm	300	300	360	420	480	600
	ni	Rpm	160	160	160	145	145	117
	Pi	kW	0,75	0,75	0,75	1,5	1,5	3

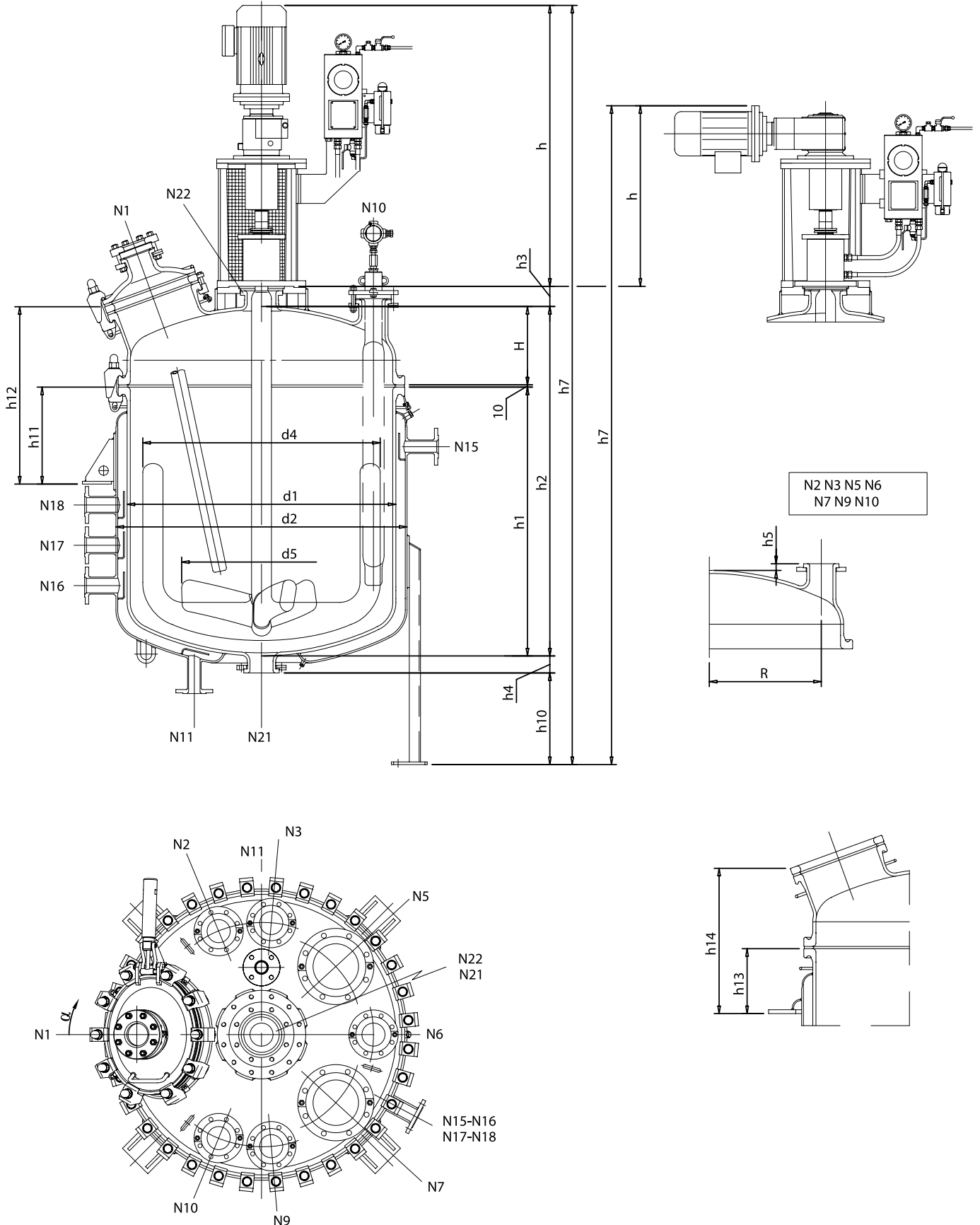
Glass lined reactor - AE



Glass lined reactor - AE

AE type reactors

Capacity from 1.000 L to 6.300 L



Glass lined reactor - AE

	Type	AE	1.000	1.600	2.500	4.000	6.300
	Vessel capacity	L	1.485	2.350	3.510	5.445	8.250
	Jacket capacity	L	220	301	376	495	686
	Jacketed area	m ²	4,62	6,16	8,16	11,58	16,12
	Weight	kg	2.040	3.100	4.200	6.185	8.900
Dimensions	d1	mm	1.200	1.400	1.600	1.800	2.000
	d2	mm	1.300	1.500	1.700	1.900	2.100
	H	mm	350	400	460	500	550
	h1	mm	1.200	1.400	1.600	2.000	2.500
	h2	mm	1.560	1.810	2.070	2.510	3.060
	h3	mm	90	100	100	130	130
	h4	mm	76	74	72	70	86
	h7	mm	3.621	3.926	4.209	4.811	5.602
	h10 min.	mm	700	700	700	700	900
	h11 min.	mm	405	475	485	630	640
	h12 min.	mm	730	850	905	1.075	1.125
	h13 min.	mm	325	345	345	370	375
	h14 min.	mm	650	720	765	815	860
	Nozzles	N1	DN	350/450	350/450	350/450	500
N2		DN - h5	100 - 30	100 - 25	100 - 10	150 - 0	150 - 0
		R -	500 - 67,5°	575 - 60°	675 - 65°	725 - 65°	800 - 60°
N3		DN - h5	100 - 30	100 - 25	100 - 10	150 - 0	150 - 0
		R -	500 - 95°	575 - 95°	675 - 95°	725 - 95°	800 - 95°
N5		DN - h5	200 - 60	200 - 50	200 - 50	250 - 25	250 - 25
		R -	450 - 137,5°	550 - 135°	625 - 135°	675 - 135°	750 - 135°
N6		DN - h5	100 - 30	100 - 25	100 - 10	150 - 0	150 - 0
		R -	500 - 180°	575 - 180°	675 - 180°	725 - 180°	800 - 180°
N7		DN - h5	200 - 60	200 - 50	200 - 50	250 - 25	250 - 25
		R -	450 - 222,5°	550 - 225°	625 - 225°	675 - 225°	750 - 225°
N9		DN - h5	100 - 30	100 - 25	100 - 10	150 - 0	150 - 0
		R -	500 - 265°	575 - 265°	675 - 265°	725 - 265°	800 - 265°
N10		DN - h5	100 - 30	100 - 25	100 - 10	150 - 0	150 - 0
	R -	500 - 292,5°	575 - 300°	675 - 295°	725 - 295°	800 - 300°	
N21	DN	100	100	100	100	150	
N22	DN	125	150	150	200	200	
N23	DN	100	100	100	100	100	
Jacket nozzles	N11	DN -	50 - 90°	50 - 90°	50 - 90°	50 - 90°	80 - 90°
	N15	DN -	50 - 208°	50 - 208°	50 - 208°	50 - 208°	80 - 208°
	N16	DN -	50 - 208°	50 - 208°	50 - 208°	50 - 208°	50 - 208°
	N17	DN -	-	-	-	50 - 208°	50 - 208°
	N18	DN -	-	-	-	-	50 - 208°
Drive	Drive type	-	GNA - 60	GRO - 80	GRO - 80	GRO - 100	GRO - 100
	Max torque	Nm	500	1.400	1.400	2.800	2.800
	h	mm	1.195	1.247	1.272	1.406	1.431
Anchor	d4	mm	1.060	1.250	1.440	1.630	1.810
	na	Rpm	74	50	50	46	46
	Pa	kW	2,2	4	4	5,5	7,5
Impeller	d5	mm	720	840	960	1.100	1.100
	ni	Rpm	117	103	104	105	107
	Pi	kW	3	4	5,5	7,5	11

Glass lined reactor - AE

