

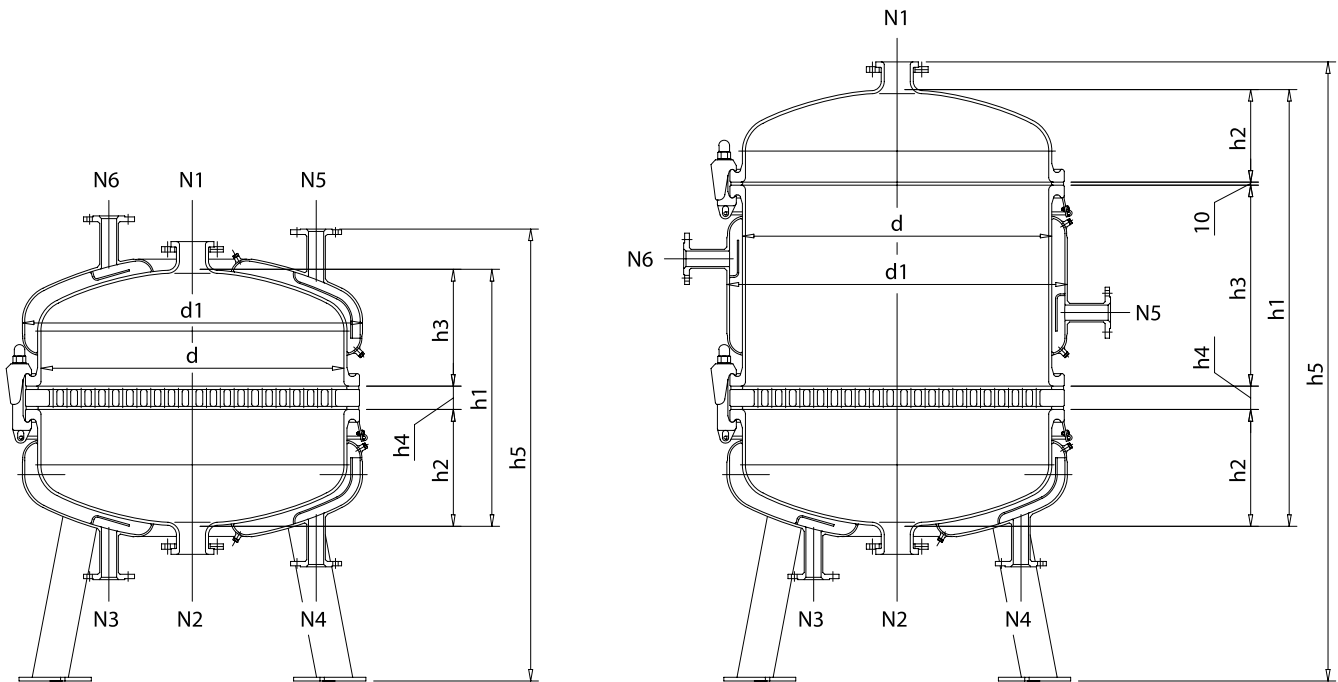
# Glass lined filter dryer

## Filtrodry FEP/GL

### Pressure filters

Area from 0,1 to 1 m<sup>2</sup>

- Glass lined pressure filters.
- Design: pressure: - 1 to + 6 bar.
- Design temperature: - 25 to + 200°C.
- Construction according to PED Directive 97/23/CE.
- Glass lined nozzles with split loose flanges.
- PTFE envelope gasket on all assembled joints.
- Blue glass without plugs, tested to DIN 28063.
- Support by legs.
- Special construction per customer specification are possible.
- Transportable construction with hydraulic opening system.
- Special construction with agitator and lateral discharging hydraulic valve.



FS	Tot. vol.	Vol. jacket	Surf. jacket	Surf. filter	d	dl	h1	h2	h3	h4	h5	N1/N2	N3/N4	N5/N6	Weight
	L	L	m <sup>2</sup>	m <sup>2</sup>	mm	mm	mm	mm	mm	mm	mm	DN	DN	DN	kg
10	39	13	0,4	0,1	419	457	430	180	200	50	750	32	25	25	200
16	64	19	0,6	0,2	508	550	470	200	220	50	800	32	25	25	300
25	97	25	0,8	0,3	600	650	520	220	245	55	850	40	25	25	380
40	230	42	1,5	0,5	800	850	670	280	325	65	1.000	50	25	25	650
63	430	70	2,3	0,7	1.000	1.050	800	320	405	75	1.150	80	25	25	1.100
100	680	105	3,3	1,1	1.200	1.250	900	370	445	85	1.250	80	25	25	1.650

FSA	Tot. vol.	Vol. jacket	Surf. jacket	Surf. filter	d	dl	h1	h2	h3	h4	h5	N1/N2	N3/N4	N5/N6	Weight
	L	L	m <sup>2</sup>	m <sup>2</sup>	mm	mm	mm	mm	mm	mm	mm	DN	DN	DN	kg
63	100	12	0,7	0,1	419	457	920	180	500	50	1.240	32	25	25	330
100	160	19	0,9	0,2	508	550	1.010	200	550	50	1.340	32	25	25	450
160	250	28	1,3	0,3	600	650	1.105	220	600	55	1.435	40	25	25	540
250	470	38	1,7	0,5	800	850	1.185	280	550	65	1.515	50	25	25	880
400	780	52	2,2	0,7	1.000	1.050	1.275	320	550	75	1.625	80	25	25	1.400
630	1.240	76	3,1	1,1	1.200	1.250	1.435	370	600	85	1.785	80	25	25	1.800

# Glass lined filter dryer Filtrodry FEP/GL

